

# SOUNDZ AUDIO

## GTSI BOOMBOX RADIO INTERFACE UPGRADE

### GENERAL

#### Installation Requirements

Radio configuration using **DIGITAL TECHNICIAN II** or **TECHNO RESEARCH** diagnostic tool is:

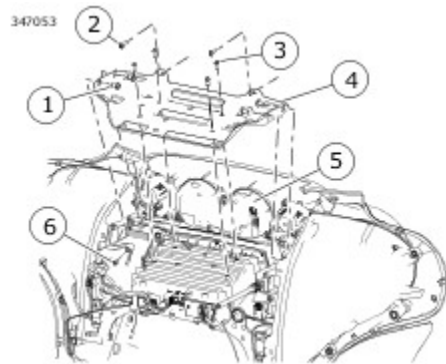
- Required **before** audio system OPERATION. System will beep every 3 seconds until configuration is completed. **“FOR STOCK AUDIO CONFIGURATION”**
- Only available through authorized Harley-Davidson dealers.

#### Techno Research Scan Tool Requirements

- Required for flashing for **SOUNDZ AUDIO** system.
- 2019 Touring Model ECM (Except Trike ECM) for pairing radio to 14-18 model bikes.
- **ONLY USE 2019 ECM DO NOT USE NEWER ECMs**

1. Remove outer fairing.
2. **Fork-Mounted Faring:** Remove fairing vent and instrument cluster.
3. Remove upper support bracket.

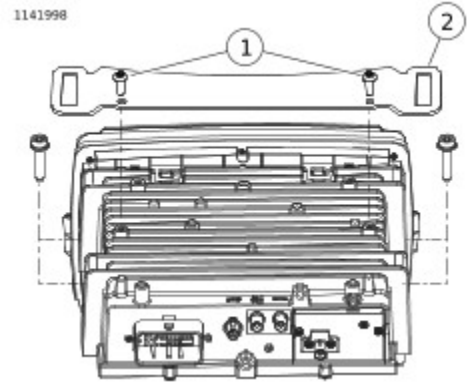
4.1. **Fork-Mounted Faring:** See [Figure 1](#). Remove screws (1, 2, 3, 6).



1	Upper support-to-speaker enclosure screw (4)
2	Upper support-to-inner fairing screw (2)
3	Upper support-to-radio screw (4)
4	Upper support bracket
5	Instrument cluster
6	Media compartment screw

Figure 1. Fork-Mounted Upper Support Bracket

4.2. **Frame-Mounted Faring:** See [Figure 2](#). Remove screws (1).

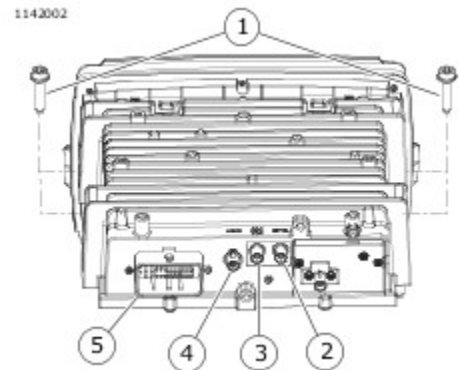


1	Screw (2)
2	Upper support bracket

Figure 2. Frame-Mounted Upper Support Bracket

4. See [Figure 3](#). Disconnect connectors (2-5).

5. Remove four screws (1).



1	Screw, radio mounting (4)
2	<a href="#">GPS</a> (Global positioning system) connector
3	AM/FM connector
4	<a href="#">USB</a> (Universal serial bus) connector
5	Radio harness connector

Figure 3. Radio Connectors

6. Pull radio up and forward to remove.

## INSTALLATION

1. See [Figure 5](#). Install radio (1).

- a. Position radio on fairing support brackets and push toward opening in inner fairing.

2. See [Figure 3](#). Install four screws (1).

Torque: 6.8–9.5 N·m (60–84 **in-lbs**) *Radio mounting screw*

3. **Fork-Mounted Faring:** Install instrument cluster.

4. **Fork-Mounted Faring:** See [Figure 1](#). Install upper support bracket.

- a. Install screws (2). Tighten.

Torque: 1.1–2.2 N·m (10–19 **in-lbs**)

- b. Install screws (1). Tighten.

Torque: 5.4–6.8 N·m (48–60 **in-lbs**)

- c. Install screws (3). Tighten.

Torque: 2.8–4 N·m (25–35 **in-lbs**)

- d. Install screw (6). Tighten.

Torque: 2.8–4 N·m (25–35 **in-lbs**)

5. **Frame-Mounted Faring:** See [Figure 2](#). Install upper support bracket.

- a. Install screw (1). Tighten.

Torque: 2.8–4 N·m (25–35 **in-lbs**)

6. See [Figure 4](#). Install [GPS](#) antenna.

- a. Clean top of upper support bracket with isopropyl alcohol. Allow to dry completely.

- b. **Remove adhesive backing from antenna. Mount in the square mounting surface next to the right speaker enclosure.**

- c. With the wire lead toward the right, press and hold antenna (2) for 60 seconds.

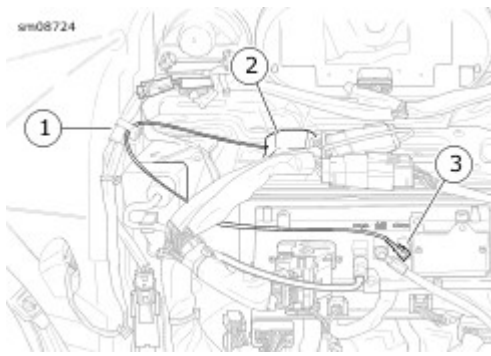
### NOTE

After installing antenna, avoid contact or movement of the antenna for 20 minutes.

7. Secure antenna lead to harness with cable strap (1).

8. See [Figure 3](#). Connect connectors (2-5).

Install **GTSI T-harness** between BOOMBOX radio and plug the other end into factory Harley bike harness.



1	Cable strap
2	<a href="#">GPS</a> antenna
3	Connector

Figure 4. GPS Antenna

#### SWITCH CAP

1. **NOTE**

See the service manual of the year and model vehicle that the service is being performed on for the following steps.

Remove front right-hand control cover.

2. Remove right turn signal and info switch cap.
3. See [Figure 5](#). Install **new** switch cap (2).
4. Install front right-hand control cover.

#### COMPLETE

1. **Fork-Mounted Faring:** Install fairing vent.
2. Install outer fairing.
3. Install main fuse.
4. Update radio software. See [Harley-Davidson.com](http://Harley-Davidson.com)

a. Follow instructions on website.

5. **Flash Programming DTII Or Techno Research:**

(Digital technician) will configure the radio and amplifiers all at the same time.

**(Techno Research) scan tool can also be used to zone and enable the radio.**

1. **Install (2019) ECM into 14-18 bike.**
2. **Go to Radio zoning select region and press program.**
3. **Go back to top of screen and go to enable/disable.**
4. **Enable WHIM, Enable Navigation.**

5. Go back to top of screen and go to program speakers.
6. Click the Soundz\* under manufacture. *\*Use the configuration of your audio kit manufacturer IF you do not have a Soundz audio kit.*
7. Click on the speaker configuration that will appear.
8. Click on Program. (PASS) should appear.
9. Make sure all harnesses are plugged back in and wrapped up before clearing codes.
10. Go back to the top of the screen and change to (DTCs)
11. Click on read DTC and allow scan tool to retrieve any trouble codes.
12. Click erase code wait 5 seconds and conformation box will appear, click yes.

6. **NOTE**

To mount the GTSI module place it between the clutch side speaker pod and radio. If the bike has a WHIM module in that location, remove the whim and relocate it below the radio tucked in with the wiring harness. If bike has CB module place Velcro on CB module and stick GTSI to the module. If no CB module install the GTSI bracket using two supplied bolts to the bottom of the fairing radio support. When installing GTSI bracket use caution to not over tighten bolts that hold bracket, as bracket is only light plastic. Refer to BOOM! BOX 6.5 GTS owner's manual.

- a. Turn radio ON.
- b. Make sure that all speakers are working properly.
- c. Make sure front/rear fader function is operating correctly.

7. Verify all turn signals functions are working properly.

**SERVICE PARTS**

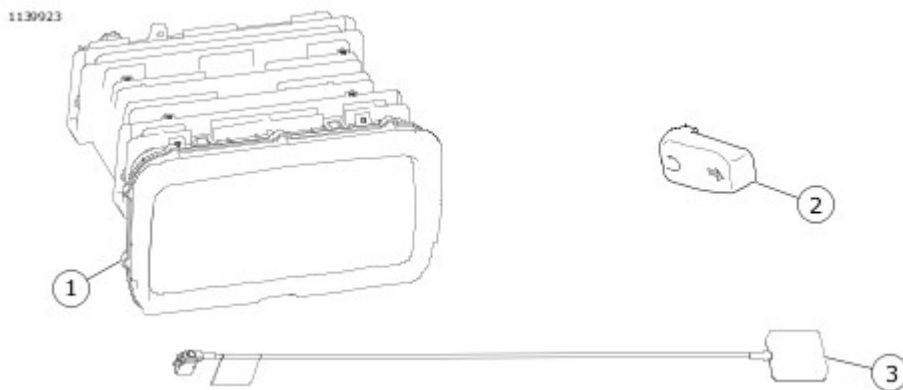


Figure 5. Service Parts, Boom! Premium Radio Infotainment Kit

Table 1. Service Parts

Item	Description	Part Number	
1	Premium Radio Infotainment Kit, (DOM)	Fork Mounted Fairing	76000829
		Frame Mounted Fairing	76000834
2	Switch cap <u><b>**Helpful Hint: If you have lighted controls, you will need HD Part#71500484, which is sold separately from the GTS radio kit and is available from your local HD dealer for purchase.</b></u>	71500478	
3	<a href="#">GPS</a> antenna	76000789	
4	Boom! Box 6.5 GTS Owner's Manual (Not shown)	94000601	
5	Boom! Box 6.5 GTS Quick Start Guide (Not shown)	94000634	