

# SOUNDZ BAGGERAUDIO 5X7" SADDLEBAG SPEAKER KIT

## Models

2014-2020 ALL Models with HD Boom Saddlebag Speaker Lids (Factory or Added).

1998-2013 ALL Models with HD Boom Saddlebag Speaker Lids (Factory or Added).

## NOTE

The speakers in this kit are for use on Harley-Davidson® audio systems.

## Installation Requirements

Proper installation of this kit MAY require the replacement of the saddlebag lids. Lids are available separately from a Harley-Davidson dealer.

RTV sealant is required for proper installation of this kit.

## NOTE

The purchase of this kit entitles you to a specially developed sound equalization software that is used in conjunction with the Advanced Audio system. This unique equalization was designed to optimize the performance and sound response of the Soundz Bagger Audio saddlebag speakers.

Even if this kit is not being installed by a Soundz dealer, this special equalization **software** is available without charge from any dealer through Techno Research Centurion Audio Scan tool. Dealer labor rates may apply for the upgrade procedure.



## WARNING

Rider and passenger safety depend upon the correct installation of this kit. Use the appropriate service manual procedures. If the procedure is not within your capabilities or you do not have the correct tools, have a Soundz dealer perform the installation. Improper installation of this kit could result in death or serious injury.

## NOTE

This instruction sheet refers to service manual information. A service manual for this year/model motorcycle is required for this installation and is available from a Harley-Davidson dealer.

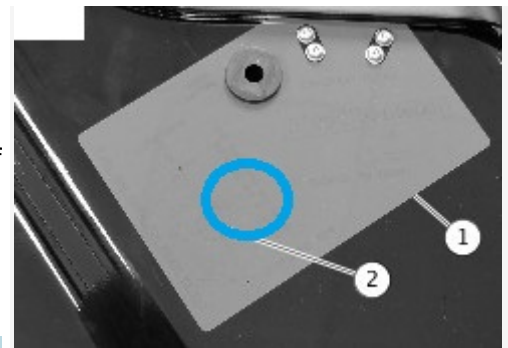
## Kit Contents

See [Figure 9](#) and [Table 1](#).

## SADDLEBAG PREPARATION

### Saddlebag Drilling

1. Lay a clean pad or blanket on the work surface to protect the painted surfaces of the saddlebag.
2. Remove the right saddlebag bottom from the vehicle per service manual instructions. Lay it, outboard side down, on the protected work surface.
3. See [Figure 1](#). A hole for routing the saddlebag harness towards the front of the bike indicated by #2 in Figure 1. Position is roughly 1-2" below the saddlebag bolt, and within 1" of center of the saddlebag bolt. Cover the drill point with masking tape to prevent cracking or chipping of the paint and drill a 19 mm (0.75 in) hole. Clean out shavings and latch the cover.



#### NOTE

Drill a single 19 mm (0.75 in) hole as shown on the template.

1	Shaded area
2	Speaker only hole location

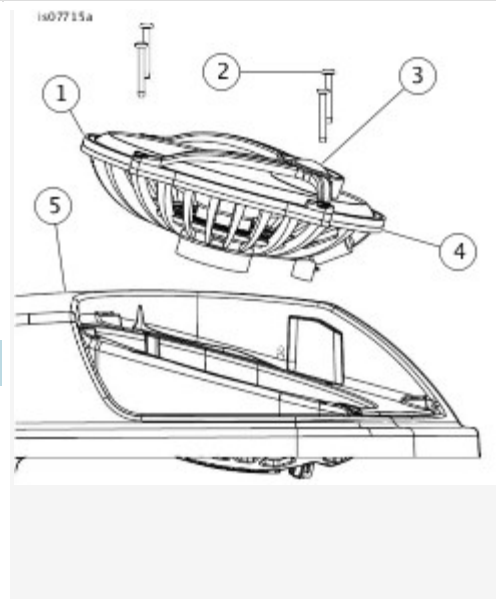
Figure 1. Drill Hole in Inboard Saddlebag Wall (Right-Side Shown)

4. Set the saddlebag aside, and repeat Steps 1-3 for the left side saddlebag.

## Saddlebag Lid Assembly

1. See [Figure 2](#). Inspect speaker gasket (4) and verify that it is intact.

2. SEE FIGURE 4: Remove the portion of the plastic basket that is in the way of the speaker magnet. Install the speaker with the connection terminals towards the rear of the motorcycle. The screws will go in at an angle. Each screw needs to be started first, then tighten opposing screws until all four are equally snug and do not allow water to protrude the edge of the basket.



## NOTE

1998-2013 ALL Models –

- Remove plastic basket below speaker. Discard.
- Use supplied machine screws and nuts to secure speakers

1	Speaker
2	Screw (4)
3	Tweeter orientation
4	Speaker gasket
5	Saddlebag cover

Figure 2. Speaker Orientation

3. See [Figure 2](#). Insert four screws (2), from the top, through each mounting hole in the speaker. Align the four screws with the mounting holes in the basket and tighten to 1.4–1.7 NM (12–15 **in-lbs.**).
4. Get the correct speaker grille, four rubber washers and screws (Item 10) from the speaker kit.

## NOTE

It is very important that the rubber washers are properly mounted flat to prevent water intrusion.

5. See [Figure 3](#). Place a rubber washer into the well surrounding each grille mounting hole in the lid.



Figure 3. Rubber Washer

6. See [Figure 4](#). Place the speaker grille into position over the speaker face. Verify the grille tab is inserted into the slot on outer edge of cover. Hold grille in place and open cover. From the underside of the saddlebag lid, insert the screws through the holes in the lid and into the mounting pads in the grille. Tighten the screws to 1.4–1.7 NM (12–15 **in-lbs.**). Verify the grill tab remained inserted in slot.



Figure 4. Speaker Grille Screws & Basket Cut Area

7. Repeat Steps 1 through 5 for the opposite-side saddlebag cover.

## SADDLEBAG HARNESS INSTALLATION

1. This kit is assumed to be added onto an existing Soundz Bagger Audio Premium Upgrade Kit. Please refer to those directions for wire routing. For the purposes of these directions, we will presume the Soundz SC-RRMN, rear main harness is already routed under the seat, and you will be connecting the saddlebag portion to this kit.
2. Remove the saddlebags from the bike and place where they will not be damaged.
3. Connect the Saddlebag harness (SC-RRLD) to the Rear Main Harness (SC-RRMN).
4. Route the Bike side of the harness on both the clutch and brake side of the bike ensuring that the harness will not interfere with the belt, brake, or any other function of the motorcycle.
5. Secure near each rear shock with a zip tie to ensure the wire will not drop in the way of any moving parts.
6. Reinstall the Saddlebags onto the bike.
7. Drill a 3/4" hole on the inside of the bag for the saddlebag side of the harness. Once the hole is drilled, insert through the hole and secure the grommet.
8. Place the adhesive backed plastic cable to mounting tab to the inside of the bag.
9. Route the wire along the inside of the bag and secure to the plastic cable tie mounting tab with the supplied plastic wire ties.
10. Connect harness to each speaker.

### NOTE

CVO Models – Disregard harness directions. Included connections will allow a direct connection to your OEM Harness.

See [Figure 5](#). Remove the liner from the adhesive backing of each wire retainer and affix to the inside walls of the saddlebag, as shown. Fasten the jumper harness to the wire retainers with the cable straps.

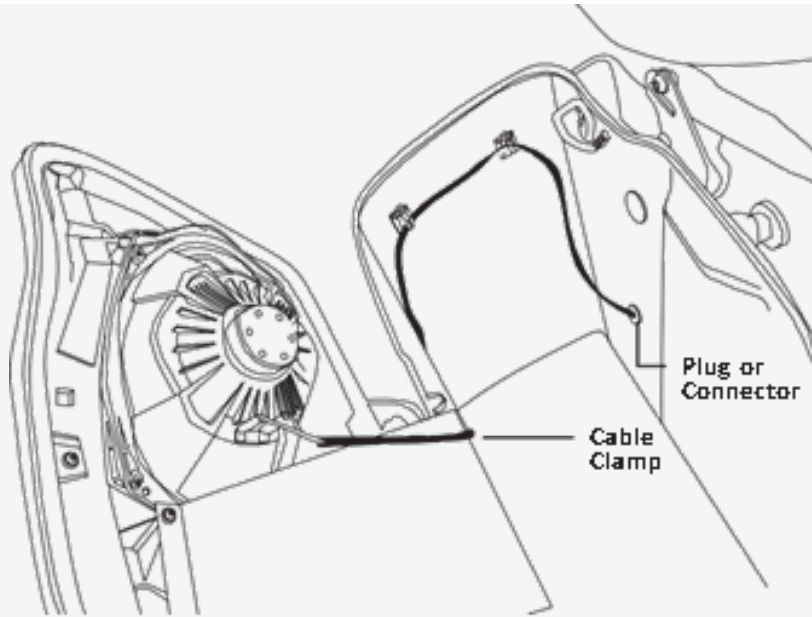
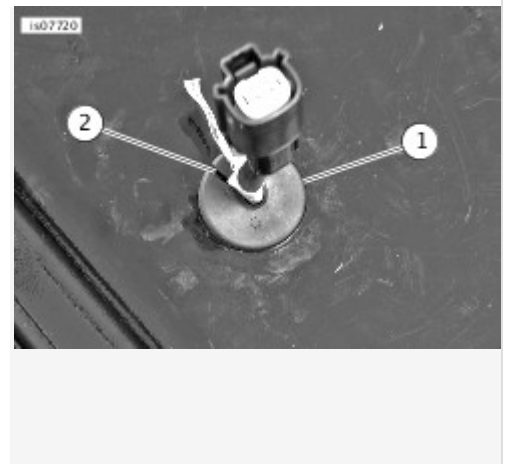


Figure 5. Wire Routing & Cable Tie Mount

1	Cable strap at speaker basket
2	Wire retainers
3	Cable straps
4	Speaker connector
5	Saddlebag speaker wire harness

Figure 5. Saddlebag Inner Harness Routing

- See [Figure 6](#). Install split grommet from outside the saddlebag, around conduit with the chamfer leading into the bag. Apply RTV sealer to seal bag.



1	Split grommet
2	RTV sealant installation location

Figure 6. Split Grommet

9. Repeat for the opposite side saddlebag.

**VEHICLE PREPARATION**

 **WARNING**

To prevent spray of fuel, purge system of high-pressure fuel before supply line is disconnected. Gasoline is extremely flammable and highly explosive, which could result in death or serious injury.

 **WARNING**

To prevent accidental vehicle start-up, which could cause death or serious injury, remove main fuse before proceeding.

 **WARNING**

When servicing the fuel system, do not smoke or allow open flame or sparks in the vicinity. Gasoline is extremely flammable and highly explosive, which could result in death or serious injury.

See the instructions in the service manual to remove the fuel tank, right side cover, outer fairing and windshield.

**NOTE**

**Vehicles equipped with security siren:**

- Verify that the Hands-Free Fob is present.
- Turn the ignition key switch to IGNITION.

# VEHICLE WIRING

## Install Rear Speaker Harness – Detailed Instructions Continued

1. See [Figure 9](#) and [Figure 7](#). Inspect the pin housings on the two long branches at one end of the rear speaker harness.

a. Locate the socket housing labeled "RH" and route it under the saddlebag lock pin, behind the shock mount, through the air line and position it near the rear of the right saddlebag.

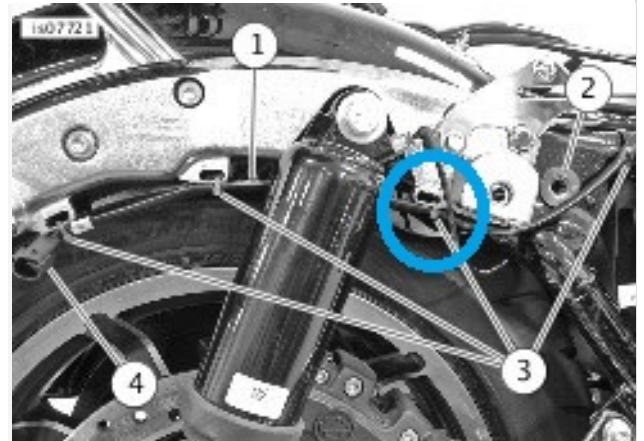
b. Using a cable strap, fasten the wiring harness on the circled eyelet on the fender support.

c. DO NOT USE THE REAR TWO EYELET!

d. Ensure #4 pictured is suspended securely below the circled eyelet so that it will not interfere with the belt, brake, or tire.

d. Install one cable strap around the frame rail and route the harness towards the center of the vehicle.

e. Repeat for the left side harness.



1	Rear speaker harness
2	Side cover mounting hole
3	Cable strap locations
4	Saddlebag connector

Figure 7. Rear Speaker Harness Routing

2. See [Figure 8](#). Route the harness branches forward on the vehicle:

a. Connect the jumper harness to the rear speaker harness and route the jumper harness towards the front inside the wire trough.



Figure 8. Rear Speaker Jumper Harness Routing



### WARNING

Be sure that steering is smooth and free without interference. Interference with steering could result in loss of vehicle control and death or serious injury.

- Be sure wires do not pull tight when handlebars are turned fully to left or right fork stops.

3. Route the speaker harness inside the fairing along the path of the interconnect harness to the top left of the inner fairing.
4. **With Fairing Amp:** connect to the Amp output.
5. Use cable straps from the kit to fasten the harnesses to nearby wiring.

#### NOTE

To prevent possible damage to the sound system, verify that the ignition switch is in the OFF position before installing the main fuse.

6. Verify that the ignition switch is in the OFF position. See the service manual and follow the instructions to install the main fuse.
7. Test the radio and speaker controls for proper operation.
8. After the test is complete, disconnect the main fuse again and install the wiring trough cover, fuel tank, RH & LH side covers, outer fairing and windshield per service manual instructions.

#### WARNING

After installing seat, pull upward on seat to be sure it is locked in position. While riding, a loose seat can shift causing loss of control, which could result in death or serious injury.

9. See the service manual and follow the instructions to install the seat.

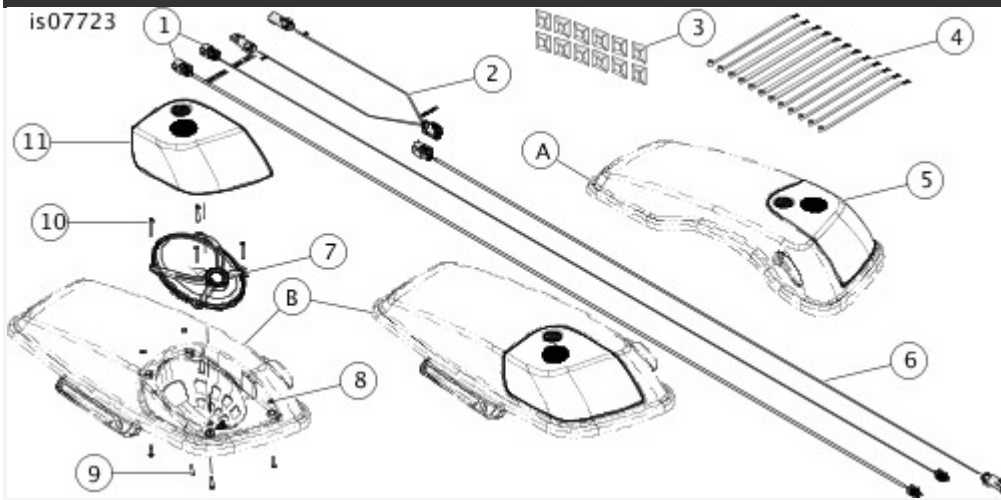
## SOUNDZ BAGGER AUDIO SOFTWARE UPGRADE

The purchase of this kit entitles you to a specially developed sound equalization software that is used in conjunction with the advanced audio system. This unique equalization was designed to optimize the performance and sound response of the Soundz Bagger Audio saddlebag speakers. Even if this kit is not being installed by a Soundz dealer, this special equalization software is available through the Techno Research Centurion Audio Scan Tool. Dealer labor rates may apply for the upgrade procedure.



**IN USE:** A small amount of water may at times collect in the speaker cavities while parked outdoors. The saddlebag speakers are weatherproof, and when the radio is powered the speaker will bounce the water out, but there could be a temporary effect on sound quality. To promptly empty the speaker cavities, lift the saddlebag covers.

## SERVICE PARTS



[View interactive image](#)

Figure 9. Service Parts, Soundz Bagger Audio Saddlebag Speaker Kit

## SERVICE PARTS

Table 1. Service Parts, Soundz Bagger Audio Saddlebag Speaker Kit

ITEM	DESCRIPTION (QUANTITY)	PART NUMBER			
1	Wire harness, saddlebag speaker (in saddlebag) (2)	SC-RRLD			
2	Wire harness, saddlebag speaker (to saddlebag) (1)	SC-RRMN			-
3	Retainer, cable strap (12)				
4	Cable strap (12)				
5	Grille assembly, saddlebag, LH (1)	76000417	AVAILABLE FROM HD		

ITEM	DESCRIPTION (QUANTITY)	PART NUMBER			
6	Wire harness, jumper, speaker	SC-RRMN			
7	Speaker assembly, saddlebag, (2)	Iron 57			
8	Washer, rubber (8)	10300066	AVAILABLE FROM HD		
9	Screw, HI-LO 8-18 X .75 inch (grille) (8)	10200012	AVAILABLE FROM HD		
10	Screw, HI-LO 8-18 X 1 inch (speaker) (8)	10200095	AVAILABLE FROM HD		
11	Grille assembly, saddlebag, RH (1)	76000418	AVAILABLE FROM HD		
<b>Items mentioned in kit, but not shown:</b>					
*	Drill template (1)				
*	Grommet, harness seal (2)	SC-GROM			
<b>Items mentioned in text, but not included in kit:</b>					
A	LH saddlebag cover – AVAILABLE FROM HD				
B	RH saddlebag cover – AVAILABLE FROM HD				