

# SOUNDZ BAGGER AUDIO

## RUSHMORE FAIRING LOWER SPEAKER KIT

### Models

2014-2020 Models with Lower Fairings including Water-Cooled

Some models require purchase of lower fairing kit.

### Tools and Supplies Required

Loctite® 242 Threadlocker - Blue is required for the proper installation of this kit.

### Installation Requirements

**FLHX models** require prior or concurrent installation of Harley-Davidson air-cooled fairing lowers. **ALL models** require separate purchase of left and right **speaker front enclosures**.



Rider and passenger safety depend upon the correct installation of this kit. Use the appropriate service manual procedures. If the procedure is not within your capabilities or you do not have the correct tools, have a Soundz dealer perform the installation. Improper installation of this kit could result in death or serious injury.

### NOTE

This instruction sheet references service manual information. A service manual for this year/model motorcycle is required for this installation. One is available from a Harley-Davidson dealer.

### NOTICE

Radio EQ **MUST** be updated by a Soundz dealer **BEFORE** operating the audio system. Operating the audio system prior to radio EQ update will **IMMEDIATELY** damage the speakers.

Radio EQ update using the Techno Research Centurion Audio diagnostic tool is:

- Recommended **before** speaker INSTALLATION
- Required **before** audio system OPERATION.
- Available through authorized Soundz dealers.

### Kit Contents

See [Figure 13](#) and [Table 1](#).

## PREPARATION

### NOTE

For vehicles equipped with security siren:

- 2014 and later: Verify that the Hands-Free Fob is present.
- Turn the ignition key switch to IGNITION.

### NOTE

See the service manual for specific information on the following generalized steps.

- Models Equipped with Fairing Lower:** See the service manual to remove the lower fairings.
- ALL Models:** See the service manual to remove the outer fairing and windshield.
- Water-cooled Models:** Follow Instructions Listed Below. NOTE: Some instructions will not apply, but the main outer speaker face is similar in mounting for both styles.

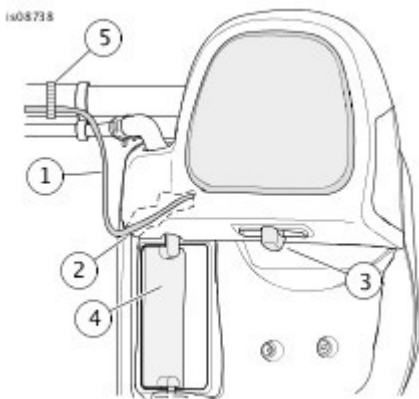
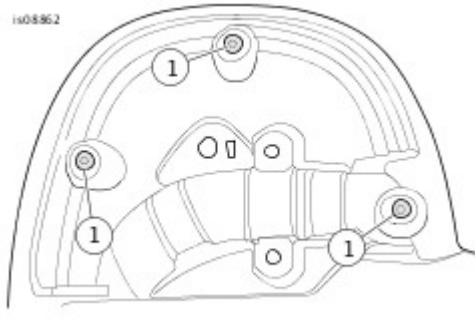
## LOWER FAIRING ASSEMBLY AND INSTALLATION

- See [Figure 1](#). From the back, remove the three screws.

### NOTE

Water-cooled Models:

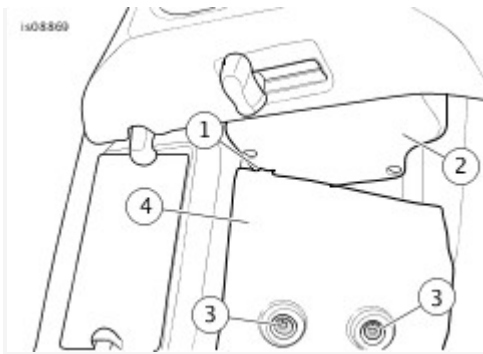
- Remove Glove Box Door
- Wire Routes next to coolant line (#1)



1	Rear screw
---	------------

Figure 1. Rear Screws

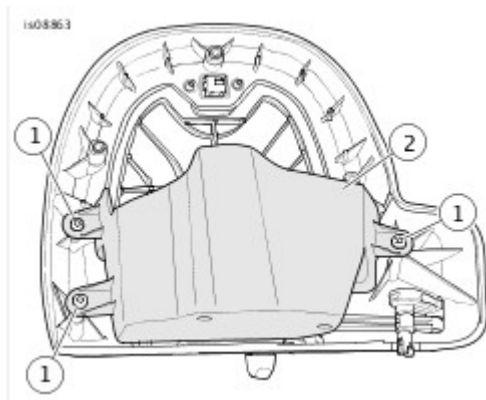
2. See [Figure 2](#). From the front, remove the screws, block-off panel and glove box. Disconnect the vent door linkage.



1	Locking tab
2	Glove box assembly
3	Screws
4	Block-off panel

Figure 2. Locking Tab and Block-off Panel

3. See [Figure 3](#). Remove the three glove box screws and the glove box.

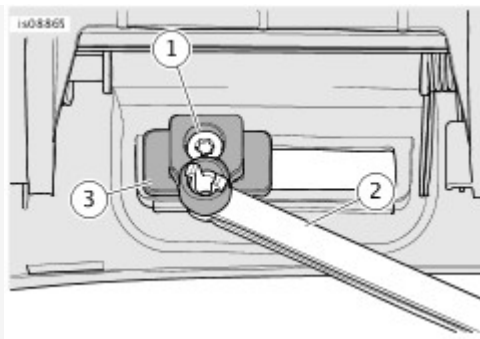


1	Glove box screws
2	Glove box

Figure 3. Glove Box Screws

4. See [Figure 4](#). Remove the screw and the linkage. Install on the new enclosure front. Tighten.

Torque: 1.3–2 N·m (12–18 in-lbs)



1	Vent linkage screw
2	Linkage
3	Knob

Figure 4. Vent Linkage Screw

5. See [Figure 5](#). Clean the area with a mixture of 50-70 percent isopropyl alcohol and 30-50 percent distilled water.

#### NOTE

To ease assembly, install and remove the screws (6) in the enclosure without the tray first.

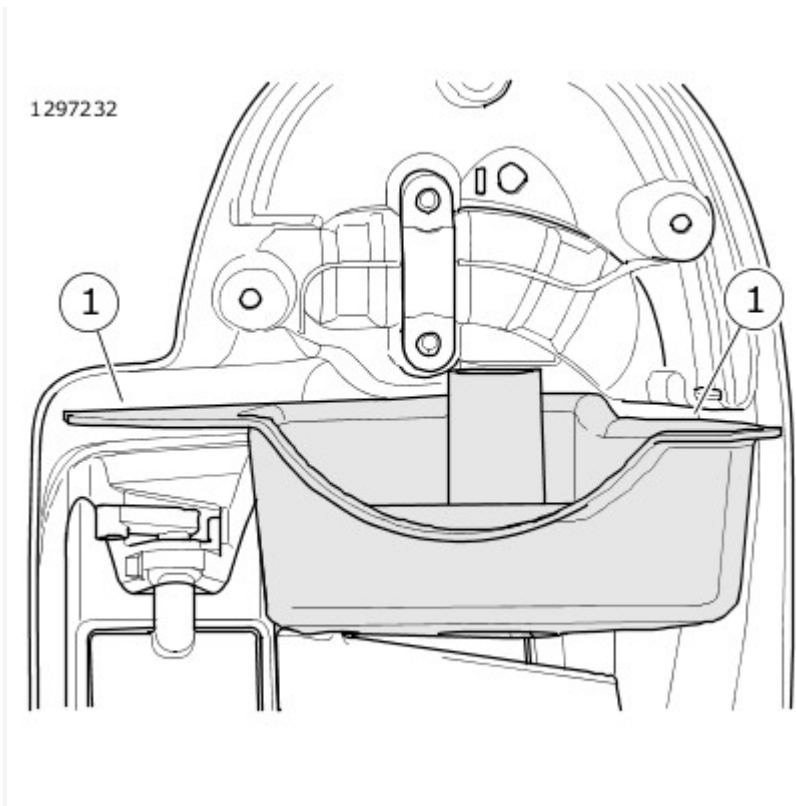
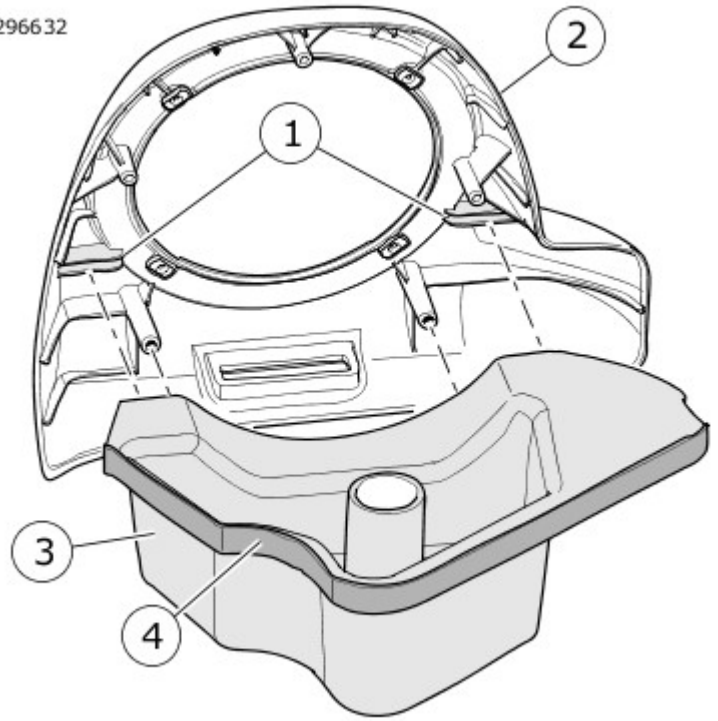


Figure 5. Gasket Mating Surface of Lower Fairing

6. See [Figure 6](#). Assemble the front enclosure and the enclosure tray. Clean the edge of the tray flange where the foam gasket is to mount with a mixture of 50-70 percent isopropyl alcohol and 30-50 percent distilled water. Remove the protective seal from one side of the double-sided foam gasket and install the foam gasket as shown. Trim and save excess foam gasket, it will be used later.

1296632



1	Enclosure front locating ribs
2	Enclosure front
3	Enclosure tray
4	Tray edge and foam gasket

Figure 6. Enclosure Assembly

7. See [Figure 7](#). Position the enclosure assembly and connect the linkage.

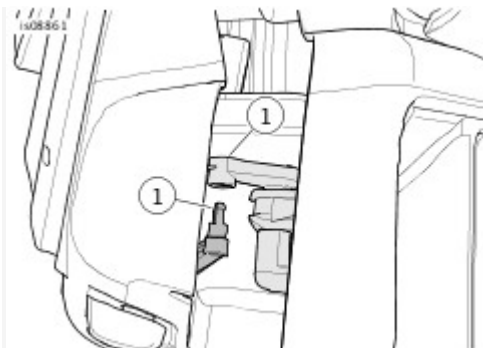
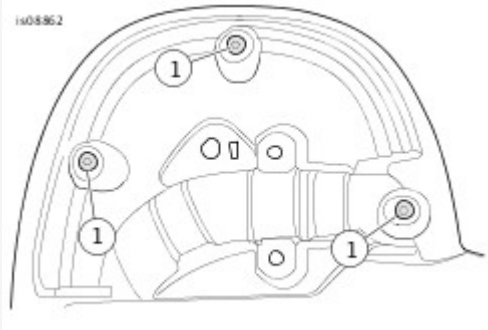


Figure 7. Connect Linkage

- 8. Remove the seal from the foam gasket before assembling the enclosure sub-assembly. Position the enclosure assembly.
- 9. See [Figure 8](#). From the rear, install the three self tapping enclosure screws (9). Tighten.

Torque: 1.3–2 N·m (12–18 in-lbs)

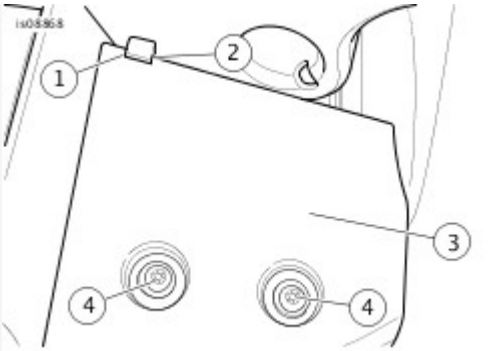


1	Rear screw
---	------------

Figure 8. Rear Screws

- 10. See [Figure 9](#). Fold a piece of trimmed gasket over the locating tab of the block-off panel and install the panel. Apply a drops of Loctite 242-Blue to the threads of the screws. Install the screws and tighten.

Torque: 7.3–8.4 N·m (65–74 in-lbs)



1	Foam gasket
2	Locating tab
3	Block-off panel

4	Screws
---	--------

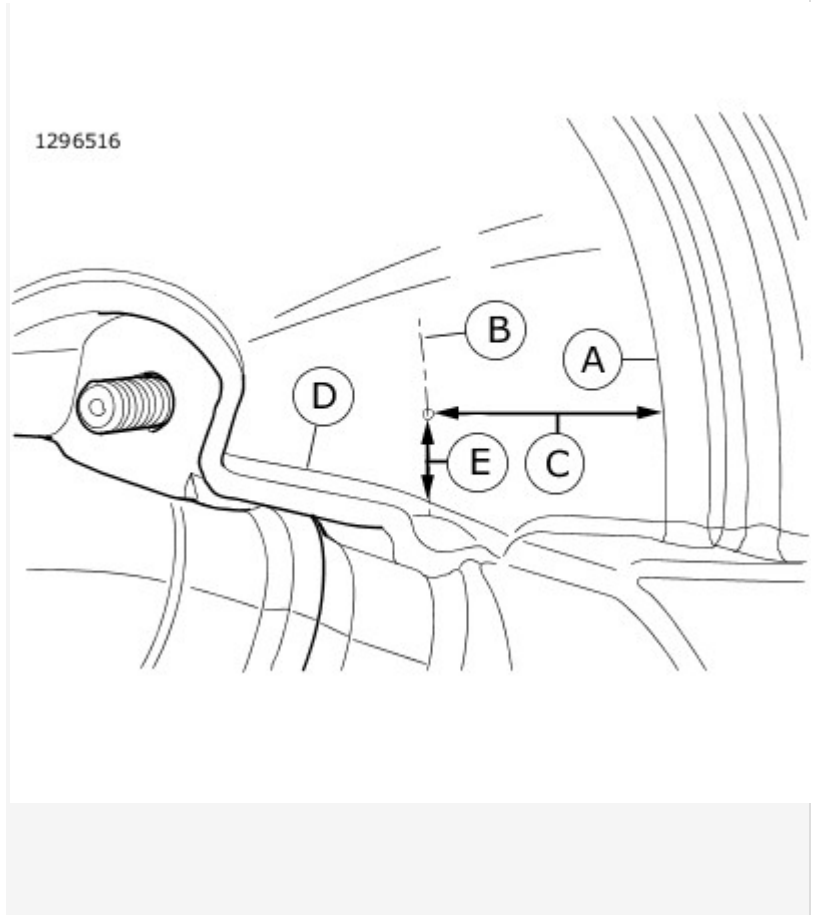
Figure 9. Block-off Panel and Locating Tab Foam

- See [Figure 10](#). From the outer side edge (A), mark a parallel line (B) at the specified distance (C).

Length/Dimension/Distance: 25 mm (1.0 in)

- From the bottom edge (D) mark a spot on the parallel line at the specified distance (E).

Length/Dimension/Distance: 9.5 mm (0.374 in)



A	Outer side edge
B	Parallel line
C	25 mm (1.0 in)
D	Bottom edge
E	9.5 mm (0.374 in)

Figure 10. Drill Location

13. Cover the drill point with masking tape to prevent cracking or chipping of the paint.

14. At the drill location on the glove box inboard side wall, drill a hole at the specified size.

Length/Dimension/Distance: 9.5 mm (0.374 in)

15. Insert a rubber grommet into the drilled hole.

16. See [Figure 11](#). Insert the four captive nuts from the inside of the large opening.

#### NOTE

Route wiring for lower speakers down along the clutch side of the fuel tank from the amp.

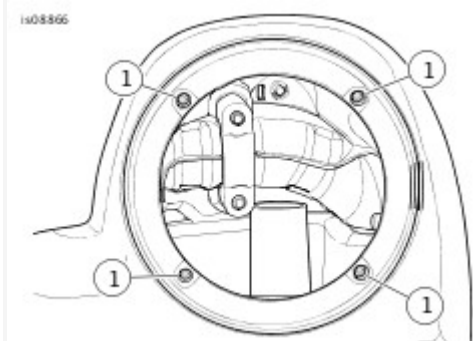


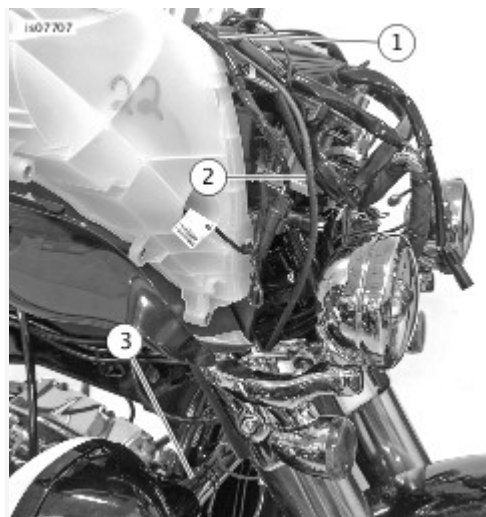
Figure 11. Captive Nuts

17. See [Figure 12](#). Route the wiring harness from the SOUNDZ amp down along the frame alongside the clutch side next to the gas tank.

In the harness, there will be two connectors where the harness splits.

Route the Clutch and Brake side appropriately along the crash bar into the speaker pod. Make sure to zip tie the wires in place.

Route wire into hole that was drilled in Figure 10.





1	[313]
2	Harness routing
3	Speaker routing

Figure 12. Harness Connection

18. See the service manual, install the lower fairing, leaving the lower fairing cap off.
  
19. Use a step bit to drill a hole in each lower speaker pod behind the outer lower cover. Route the speaker wires through the hole in the lower fairing. Route the speaker harness from the pods tightly along the crash bar and make connection next to clutch side gas tank tab. Pull all extra wiring from speaker harness into the lower pod housing. “

“Do not pull extra wire up next to the gas tank.”

20. Install the lower fairing cap.
  
21. See Figure 13. Connect the speaker wires. Position the speaker so the tweeter is in the top outboard position for CARBON 65-S & IRON 65. Install the speaker grill with the screws provided. Tighten the screws.
  
22. The wire harness included in the kit has a reference tag attached.

## RETURN TO SERVICE

### NOTE

1. Test the sound system for proper operation.
2. See the service manual. Install the outer fairing and windshield.

## WARNING

Be sure that steering is smooth and free without interference. Interference with steering could result in loss of vehicle control and death or serious injury.

- Be sure that wires, harnesses or lines do not pull tight when handlebars are turned fully to left or right fork stops.

4. Verify that steering is smooth and clear from stop to stop.

## SERVICE PARTS

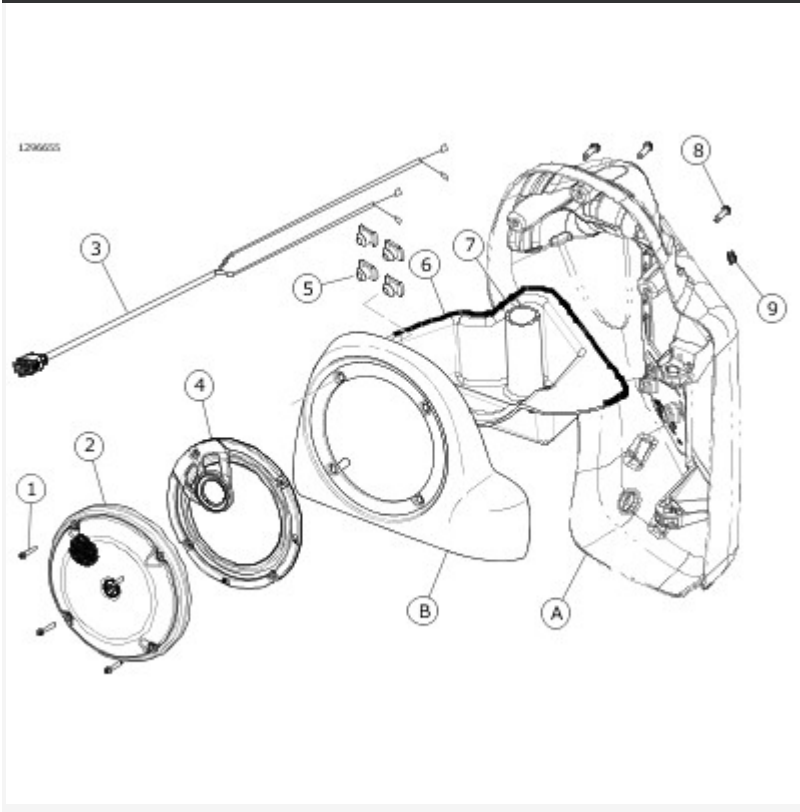


Figure 13. Service Parts, Audio Lower Fairing Speakers

Table 1. Service Parts

ITEM	DESCRIPTION (QUANTITY)	HD-PART NUMBER
1	Screw, #6-32 PAN HD, TORX, Black (8)	10200105
2	Grille assembly, 6 1/2" premium (2)	76000324
3	Wire harness (1)	69200612

ITEM	DESCRIPTION (QUANTITY)	HD-PART NUMBER
4	Woofers assembly, premium, 6 1/2" (2)	76000877
5	Captive nut (8)	10100064
6	Speaker enclosure, tray, fairing LWR, RH (1)  Speaker enclosure, tray, fairing LWR, LH (1)	76000884  76000883
7	Gasket seal (2)	25700895
8	Screw, #10 self tapping (6)	2995
9	Grommet, harness seal (2)	11410
<b>Items mentioned in text, but not included in kit:</b>		
A	Lower fairing	
B	Front Enclosure	