

# SOUNDZ RUSHMORE BATWING SPEAKER GRILL INSTALL

## Models

### 2014-2020 Batwing Models

## Installation Requirements



### WARNING

Rider and passenger safety depend upon the correct installation of this kit. Use the appropriate service manual procedures. Improper installation of this kit could result in death or serious injury.

### NOTE

This instruction sheet refers to service manual information. A service manual for this year/model motorcycle is required for this installation. One is available from a Harley-Davidson dealer.

## PREPARATION

### NOTE

**For vehicles equipped with security siren:** With security fob present, turn ignition switch ON.

## REMOVAL

1. Remove the outer fairing and windshield per the service manual.
2. See [Figure 1](#). Remove the harness anchor (2) from each speaker enclosure (1). Retain all fasteners for installation.
3. Unplug the speaker connector (3) on **one** enclosure.
4. **Right side only:** Unplug the power outlet connector [C132B] (not shown). **Left side only, CB-equipped models:** Unplug the CB connector [184] (4) and CB antenna. See the service manual.
5. Remove the three screws (6) securing the lower portion of the enclosure to the fairing support bracket (5).
6. Remove two screws (8) securing the upper portion of the enclosure to the upper support bracket (7).

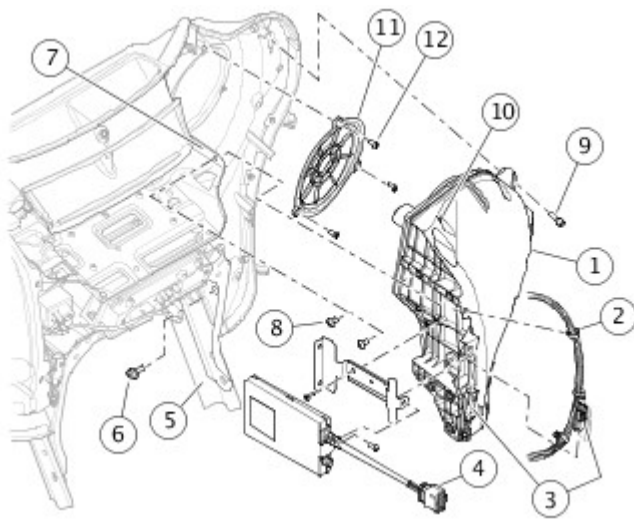
### NOTE

**Do not remove any of the screws (10) securing the speaker enclosure halves together.**

7. Remove three screws (9) securing the speaker enclosure to the inner fairing. Remove the speaker enclosure from the vehicle.
8. Remove the three screws (12) securing the speaker grille (11) to the inner fairing. Remove the speaker grille from the fairing.
9. Repeat steps 3-8 to remove the remaining speaker enclosure.

### NOTE

Never operate the vehicle with the speaker enclosures removed. The enclosures provide important structural support to the fairing. Operating without the enclosures in place can result in damage to the fairing assembly.



1	Speaker enclosure
2	Fairing harness anchor
3	Speaker connector
4	CB connector
5	Fairing support bracket
6	Screw, hex head socket, 5/16-18 x 3/4 in (19 mm) long (3)
7	Upper support bracket
8	Screw, hex socket, 1/4-20 x 1/2 in (13 mm) long (2)
9	Screw, hex socket, 1/4-20 x 3/4 in (19 mm) long (3)
10	DO NOT remove these screws (13)
11	Speaker grille

12	Screw, TORX, #10 x 3/8 in (10 mm) long (3)
----	--

Figure 1. Speaker Enclosure Removal (Left Side Shown)

## INSTALLATION

### NOTE

See [Figure 2](#).

**Always align the tab on speaker with the slit to the inner lower grill screw.**

1. Install a correct speaker grille from the kit into each side of the inner fairing. Secure with three TORX screws ( [Figure 1](#) ,) removed earlier. Tighten to:

Torque: 1–1.4 N·m (9–13 **in-lbs**) *TORX pan head screw with lock patch*

2. Secure the lower portion of the enclosure to the fairing support bracket (5) with three hex head socket screws (6) removed earlier. Tighten to:

Torque: 27.1–32.5 N·m (20–24 ft-lbs) *Hex socket screw*

4. Secure the enclosure to the upper support bracket with two hex socket screws (8). Tighten to:

Torque: 5.4–6.8 N·m (48–60 **in-lbs**) *Hex socket button head screw with attached lockwasher*

5. Repeat steps 2-4 with the remaining enclosure.

6. Mate the speaker and power outlet connectors. Secure the harness anchors to the speaker enclosures.

7. **Left side only, CB-equipped models:** Plug in the CB connector [184] and CB antenna. See the service manual.

## COMPLETION

### NOTE

Before installing outer fairing, check that speakers are operating correctly. Understand that buzzing, squeaks and rattles may be heard until outer fairing is installed.

1. Refer to the PREMIUM SOUND SYSTEM section of the owner's manual and turn the radio ON. Make sure that all speakers are working and front/rear fader function is operating correctly. If not, check speaker wiring.

2. Install the outer fairing and windshield.

3. Install seat. After installing seat, pull up on the seat to be sure it is secure.